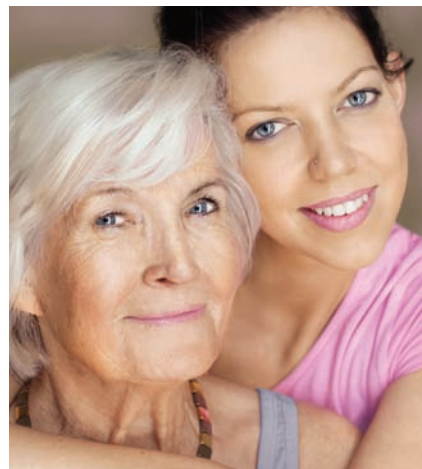


Walk-in/Slide-in Tubs

Distributed in SE Wisconsin through:



877-917-2273



**Walk-in/Slide-in
Tubs**



Why Best Bath Systems?

Best Bath Systems is a leading American manufacturer of commercial quality showers and walk-in tub systems designed specifically to meet your needs today and into the future.

Forty years of innovation are built into all products. The goal of Best Bath is to make sure your bathroom remodel is the last one you will ever need.

Each shower and pan system is pre-leveled at the factory, eliminating floor modifications and leveling problems.

Innovative leak-proof joints create trouble-free installations and add value with reduced construction requirements.

Composite wall system incorporates a plywood core in every unit. This solid wall system enables total freedom in placement of all accessories, including seats and safety bars, to meet individual needs as they arise.

Whether you are looking for a traditional threshold, barrier-free shower, or luxurious walk-in tub, Best Bath is the intelligent and worry-free choice for your next remodel.



Barrier Free



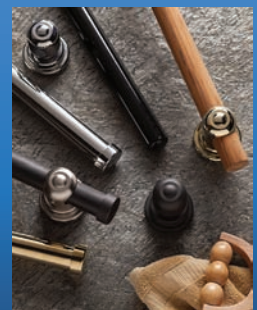
Curbed



Walk-in Tub



Slide-in Tub



Accessories

Walk-in Tubs



Walk-in
Tubs

Innovative Walk-in Tubs

Best Bath System's line of walk-in tubs are designed for safe, soothing, and accessible bathing.

Twice the depth of normal tubs, they have a comfortable contoured heated seat, a grab bar, and a non-skid floor.

Therapeutic jetted tubs are available, along with optional tub surround to fit seamlessly into your current bathroom surround area.

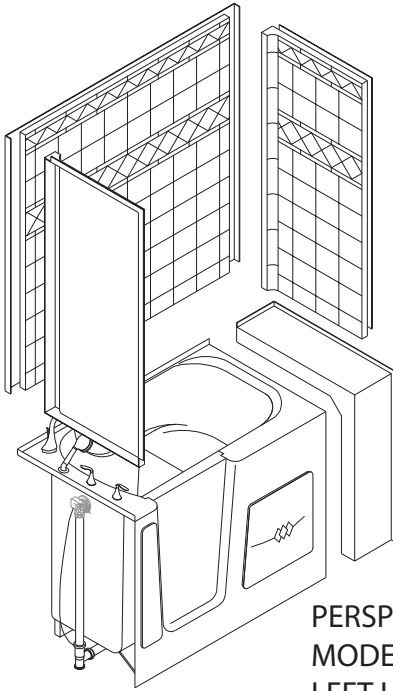
LIMITED
Lifetime
Walk-in Tub Warranty
Made in America


Best Bath
SYSTEMS
 Made in America

ESCAPE - Walk-In Tub

MODEL: LTOW5030 L/R

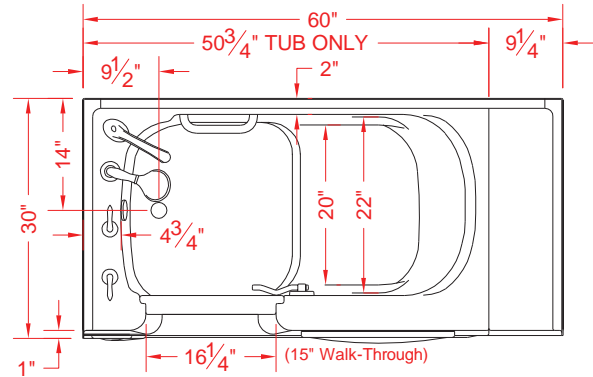
SHOWN WITH OPTIONAL THREE PIECE WALL SURROUND AND DECK EXTENSION



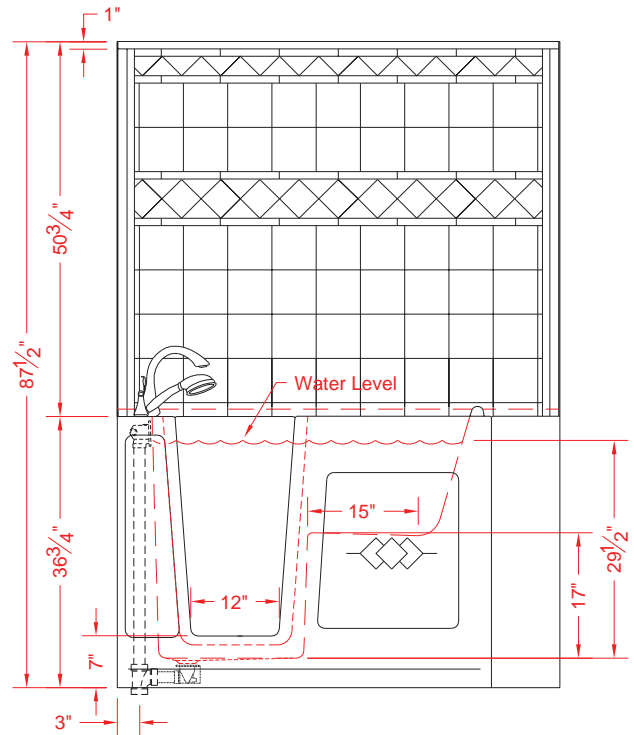
PERSPECTIVE VIEW - N.T.S.
MODEL SHOWN HERE AS:
LEFT HAND

Features:

- Designed to fit in the space of your current bathtub
- Seat height is designed for ease of sitting and standing
- Extra deep for a full body soak
- Innovative new door handle designed for easy operation
- Reliable door seal that comes with a lifetime warranty
- Heated seat for comfort while filling and draining
- Tile Look Wall surround system with integral plywood backing and SnapJoint for quick assembly
- Allows you the freedom to rehabilitate at home
- Space under tub allows for "reverse" plumbing
- 60 Gallons



TOP VIEW - SCALE: 3/8" = 1'-0"



FRONT VIEW - SCALE: 3/8" = 1'-0"

RECOMMENDED ACCESSORIES

PART NUMBER	DESCRIPTION
ESC1000 or ESC1001	Deck Extension
KMOEN1040	Moen Valve and Trim Kit
KWJ6CHUS	Water Jet System
KAJCHUS	Air Jet System
KACXISA1000	Italian Glide Bar System
KACXCURT3010	White Weighted Curtain (78"x48")
KACXRODCRK5030	L-Shaped Curtain Rod
KFTKTR3	Flange Trim Kit (tub only)
KXFTKR3	Flange Trim Kit (tub and shower)
KLAWL1040	Thermostatic Mixing Valve
ACXCGA1001	Ozone Sanitation
ACXALS2000	Porters Holder

(ACCESSORIES NOT NECESSARILY REPRESENTED IN DRAWING)

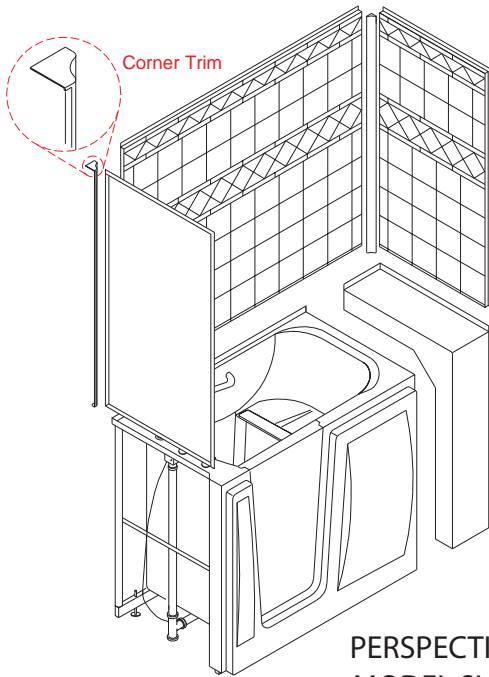
CODES

Designed and manufactured in compliance with the following standards and codes:

- I.A.P.M.O. / A.N.S.I. Z124.1.2-2005 Plastic Bathtubs and Showers
- A.S.M.E. A112.19.15-2001 Bathtubs/Whirlpool Bathtubs with pressure sealed doors

LIBERTY - Walk-in Tub MODEL: XTW5026 L/R

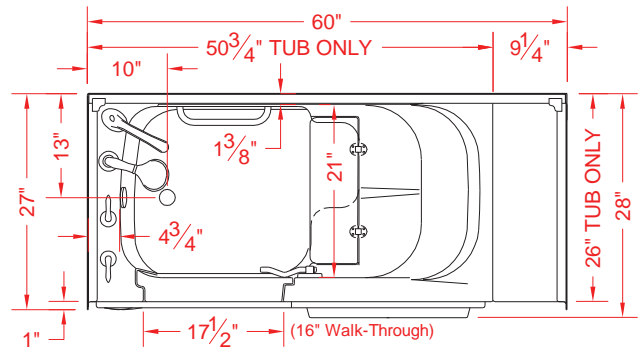
SHOWN WITH OPTIONAL THREE PIECE WALL SURROUND AND DECK EXTENSION



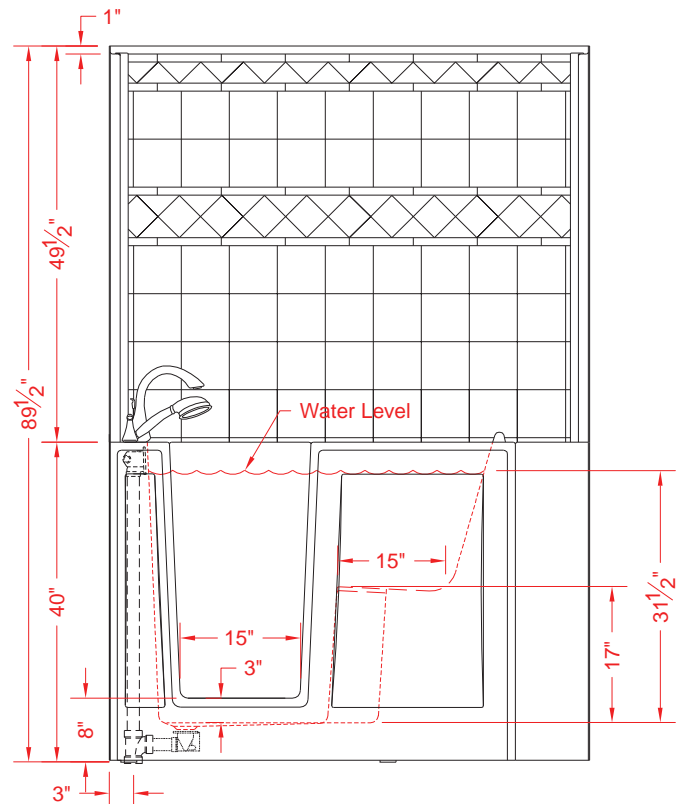
PERSPECTIVE VIEW - N.T.S.
MODEL SHOWN HERE AS:
LEFT HAND

Features:

- Designed to fit in the space of your current bathtub
- Swing up seat for easy entry
- Seat height is designed for ease of sitting and standing
- Extra deep for a full body soak
- Innovative door handle designed for easy operation
- Reliable door seal with a lifetime warranty
- Heated seat for comfort while filling and draining
- Tile Look Wall surround system with integral plywood backing
- Allows you the freedom to rehab at home
- Removable access panel gives easy install through a 26" bathroom door way
- Space under tub allows for "reverse" plumbing
- 75 Gallons



TOP VIEW - SCALE: 3/8" = 1'-0"



FRONT VIEW - SCALE: 3/8" = 1'-0"

RECOMMENDED ACCESSORIES

PART NUMBER	DESCRIPTION
LIBEXT-LH	Deck Extension Left Hand
LIBEXT-RH	Deck Extension Right Hand
KMOEN1040	Moen Valve Package
KWJ6CHUS	Water Jet System
KAJCHUS	Air Jet System
ACXCURT3010	White Weighted Curtain (78" x 48")
KACXRODCRK5026	Curtain Rod with J-hook
KFTKTR3	Flange Trim Kit (tub only)
KXFTR3	Flange Trim Kit (tub and wall)
KLAWL1040	Thermostatic Mixing Valve
ACXISA1000	Glide Bar
ACXCGA1001	Ozone Sanitition
ACXALS2000	Porters Holder

(ACCESSORIES NOT NECESSARILY REPRESENTED IN DRAWING)

CODES

Designed and manufactured in compliance with the following standards and codes:
-I.A.P.M.O. / A.N.S.I. Z124.1.2-2005 Plastic Bathtubs and Showers
-A.S.M.E. A112.19.15-2001 Bathtubs/Whirlpool Bathtubs with pressure sealed doors

Walk-in Tubs



EscapePlus Walk-in Tub
Model: XTOW5030

Luxury That's Easy to Live With

Best Bath Walk-in bathing units are one piece and ideal for retrofitting a bathroom.

The Escape, EscapePlus, Liberty and BigE feature a watertight door, removing the dangerous barriers of a traditional bathtub.

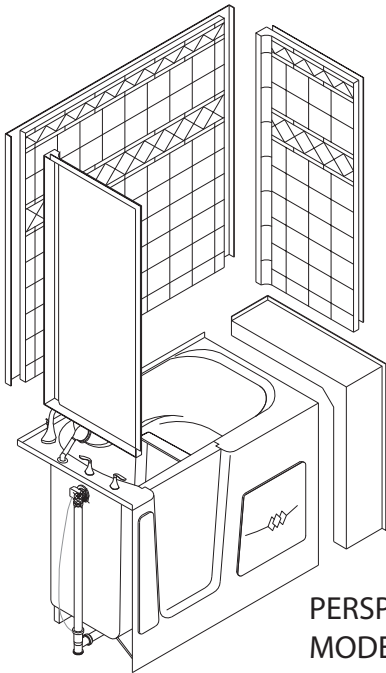
A safe, yet beautiful bathing experience for your customer.



ESCAPE PLUS - Walk-in Tub

MODEL: XTOW5030 L/R

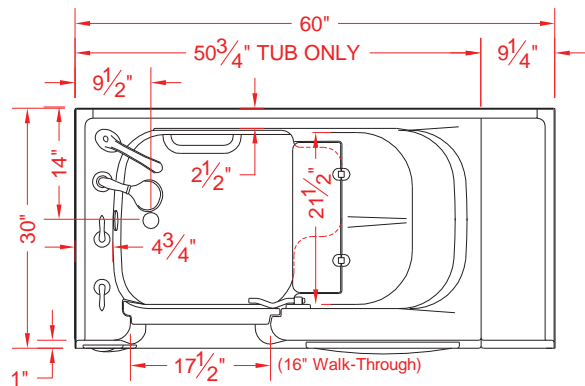
SHOWN WITH OPTIONAL THREE PIECE WALL SURROUND AND DECK EXTENSION



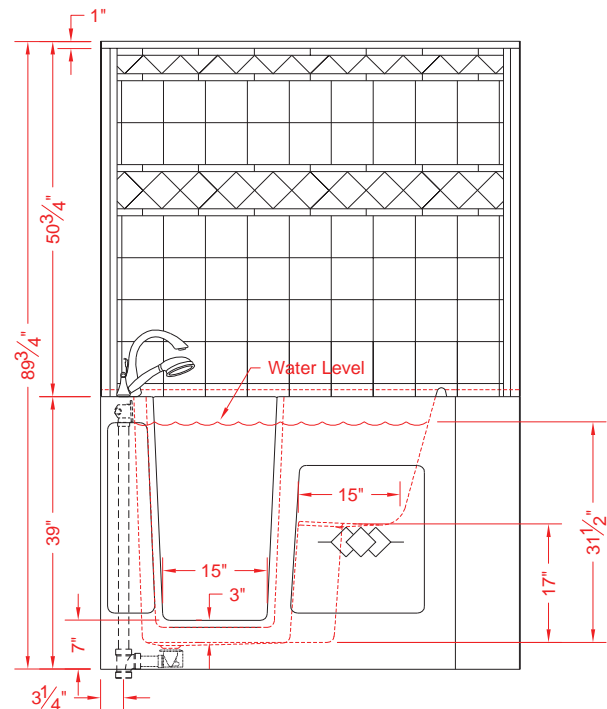
PERSPECTIVE VIEW - N.T.S.
MODEL SHOWN HERE AS:
LEFT HAND

Features:

- Designed to fit in the space of your current bathtub
- Swing up seat for easy entry
- Seat height is designed for ease of sitting and standing
- Extra deep for a full body soak
- Innovative new door handle designed for easy operation
- Reliable door seal that comes with a lifetime warranty
- Heated seat for comfort while filling and draining
- Tile Look Wall surround system with integral plywood backing and SnapJoint for quick assembly
- Allows you the freedom to rehab at home
- Space under tub allows for "reverse" plumbing
- 75 Gallons



TOP VIEW - SCALE: 3/8" = 1'-0"



FRONT VIEW - SCALE: 3/8" = 1'-0"

RECOMMENDED ACCESSORIES

PART NUMBER	DESCRIPTION
ESC1000 or ESC1001	Deck Extension
KMOEN1040	Moen Valve and Trim Kit
KWJ6CHUS	Water Jet System
KAJCHUS	Air Jet System
KACXISA1000	Italian Glide Bar System
KACXCURT3010	White Weighted Curtain (78" x 48")
KACXRODCRK5030	L-Shaped Curtain Rod
KFTKRT3	Flange Trim Kit (tub only)
KXFTR3	Flange Trim Kit (Tub and Shower)
KLAWL1040	Thermostatic Mixing Valve
ACXCGA1001	Ozone Sanition
ACXALS2000	Porters Holder

(ACCESSORIES NOT NECESSARILY REPRESENTED IN DRAWING)

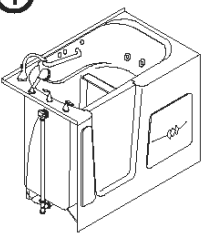
CODES

Designed and manufactured in compliance with the following standards and codes:
-I.A.P.M.O. / A.N.S.I. Z124.1.2-2005 Plastic Bathtubs and Showers
-A.S.M.E. A112.19.15-2001 Bathtubs/Whirlpool Bathtubs with pressure sealed doors

ESCAPE / ESCAPE PLUS CONFIGURATIONS

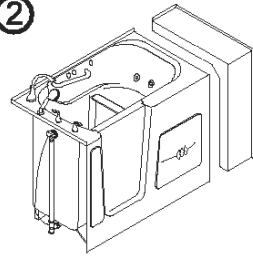
Escape / Escape Plus Walk-in Jetted Tub Configurations Available

1



No additional accessories included.

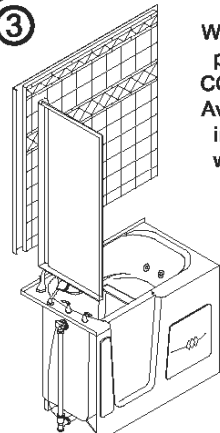
2



With Deck Extension
Fits in the space of a typical 5 ft. bathtub or shower
Generally for an ALCOVE installation.

Deck Extension
Model Number: ESC-1000

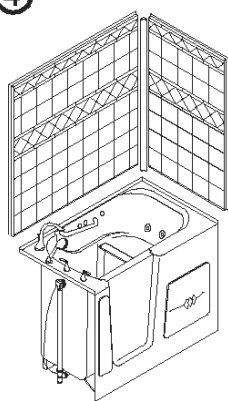
3



With two walls: a back wall and a plumbing side wall.
CORNER installation
Available for all standard configurations in both SnapJoint* and Universal** wall systems.

Model Number: 2DWS5030L

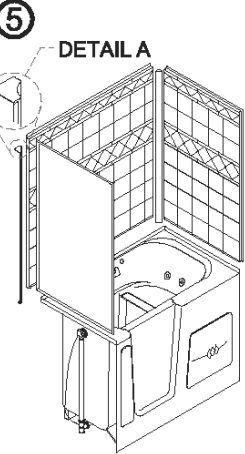
4



With two walls: a back wall and an opposite plumbing side wall.
Reverse CORNER installation
Available for custom configurations in both SnapJoint* and Universal** wall systems.
This configuration requires an add-on nailing flange.

Model Number: 2DWS5030R

5

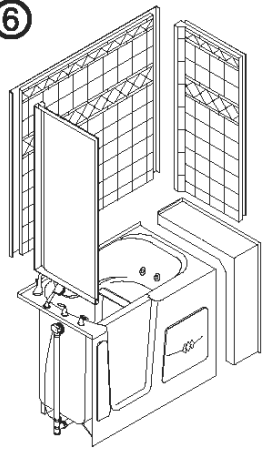


DETAIL A

With three walls: a back wall and two side walls.
ALCOVE installation for a framing pocket of 50-3/4" x 30"
Available for custom configurations or new construction in the Universal** wall system only.
This configuration requires an add-on nailing flange.

Model Number: 3DWSU6030

6



With Deck Extension and three walls: a back wall and two side walls.
ALCOVE installation for a framing pocket of 60" x 30"
Available for all standard configurations in both SnapJoint* and Universal** wall systems.

Model Number: 3WIDWS6030
Deck Extension
Model Number: ESC-1000

* SnapJoint Wall System:

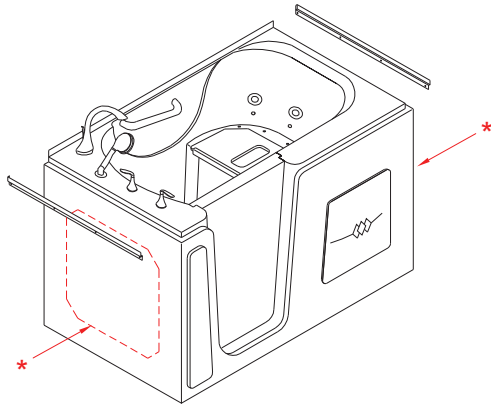
- Standard wall system for square framing
- Designed to fit all installation scenarios other than option #5
- Quick, easy "snap-in" installation

** Universal Wall System (including corner trim: DETAIL A in option #5) can be cut to accommodate:

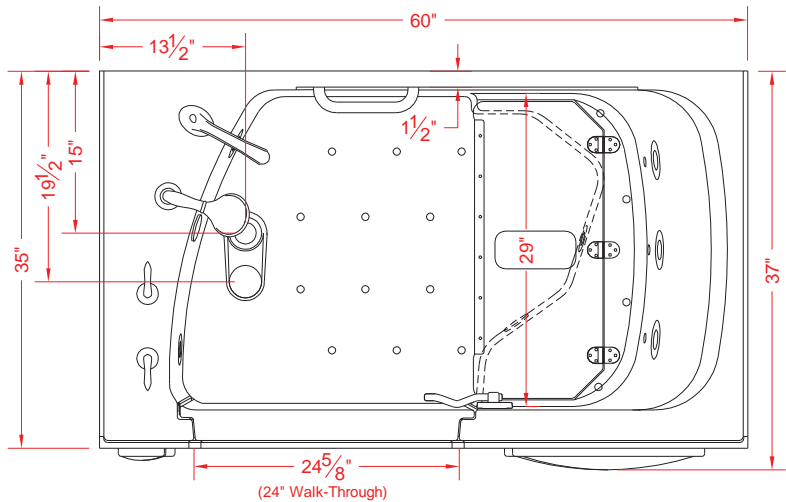
- Option #5
- Any configuration with out-of-square walls or framing
- Other unusual situations

BigE - Walk-in Tub

MODEL: XTW6035 L/R



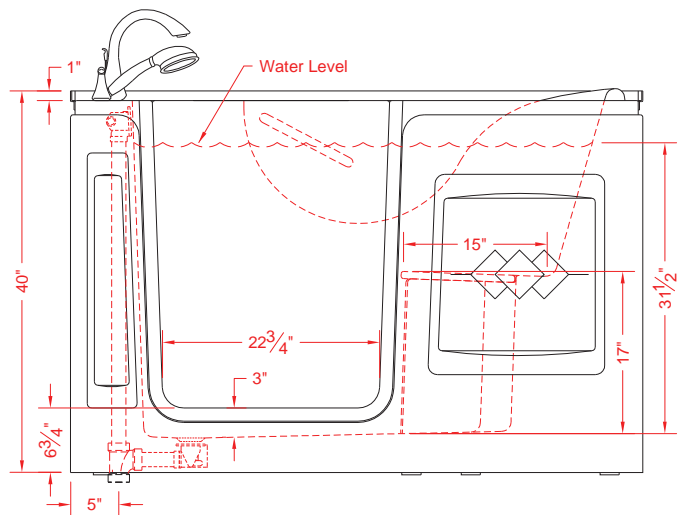
PERSPECTIVE VIEW - N.T.S.
MODEL SHOWN HERE AS:
LEFT HAND
PLUMBING OPTIONAL



TOP VIEW - SCALE: 3/8" = 1'-0"

Features:

- Swing up seat for easy entry
- Seat height is designed for ease of sitting and standing
- Extra deep for a full body soak
- Innovative new door handle designed for easy operation
- Heated seat for comfort while filling and draining
- Allows you the freedom to rehab at home
- Installs in alcove, corner or along a wall
- *-Optional open end panels for corner or alcove wall installation
- Second drain included to provide faster exit
- Limited lifetime warranty
- 130 Gallons



FRONT VIEW - SCALE: 3/8" = 1'-0"

RECOMMENDED ACCESSORIES

PART NUMBER	DESCRIPTION
KMOEN1040	Moen Valve and Trim Kit
KWJ7CHU5	Water Jet System
KAJCHUS	Air Jet System
KACXISA1000	Italian Glide Bar System
KACXCURT0008	White Weighted Curtain (78"x48")
KACXRODCRK6036	L-shaped Curtain Rod
KFTKTBE125	Flange Trim Kit (Tub only)
KXFTK125 (tub/Wall)	Flange Trim Kit (Tub and Wall)
KLAWL1040	Thermostatic Mixing Valve
ACXCGA1001	Ozone Sanitition
ACXALS2000	Porters Holder

(ACCESSORIES NOT NECESSARILY REPRESENTED IN DRAWING)

CODES

Designed and manufactured in compliance with the following standards and codes:

- I.A.P.M.O. / A.N.S.I. Z124.1.2-2005 Plastic Bathtubs and Showers
- A.S.M.E. A112.19.7M-1995 Whirlpool Bathtub Appliances
- A.S.M.E. A112.19.8M-1987 Suction Fittings for use in Whirlpool Bathtubs
- A.S.M.E. A112.19.15-2001 Bathtubs/Whirlpool Bathtubs with pressure sealed doors
- Underwriters Laboratories 1795 Hydro Massage Bathtubs

Slide-in Tubs



Slide-in
Tubs

Take Bathing to a Whole New Level

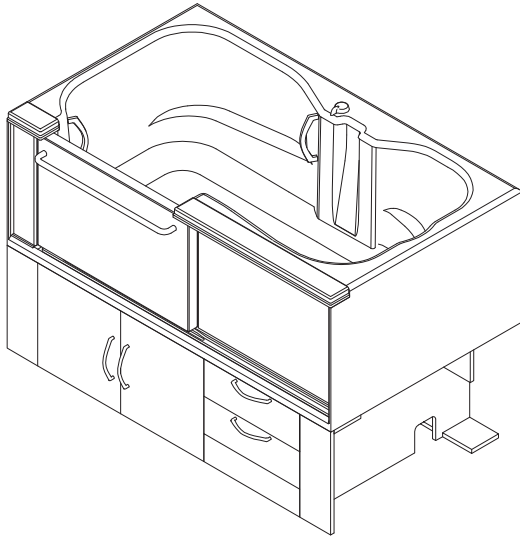
The ADL Spa offers the ultimate bathing experience for home or care facility.

With its elevated height on 20" and unique sliding door design, it affords comfortable access in a standard bathtub size.

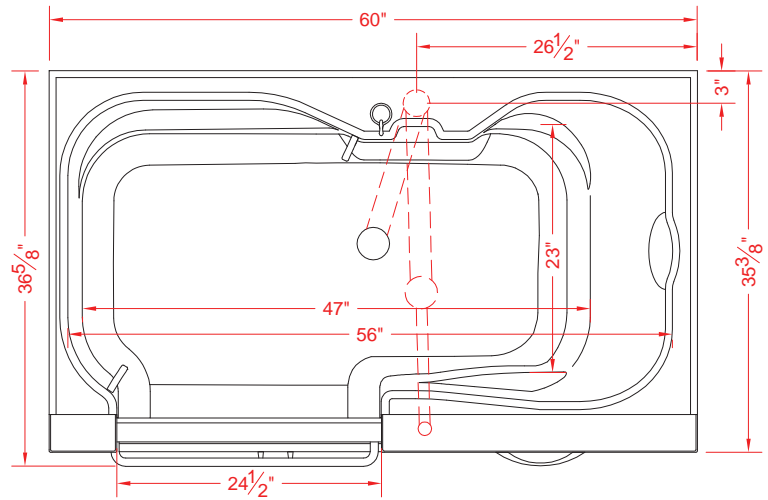
Cabinet fronts are available in a wide variety of stain options, making it easy to match practically any décor.

ADL Spa Economy System - Slide-in Tub

MODEL: ADLE6035



PERSPECTIVE VIEW - N.T.S.
MODEL SHOWN HERE AS:
RIGHT HAND PLUMBING
LEFT DOOR OPENING



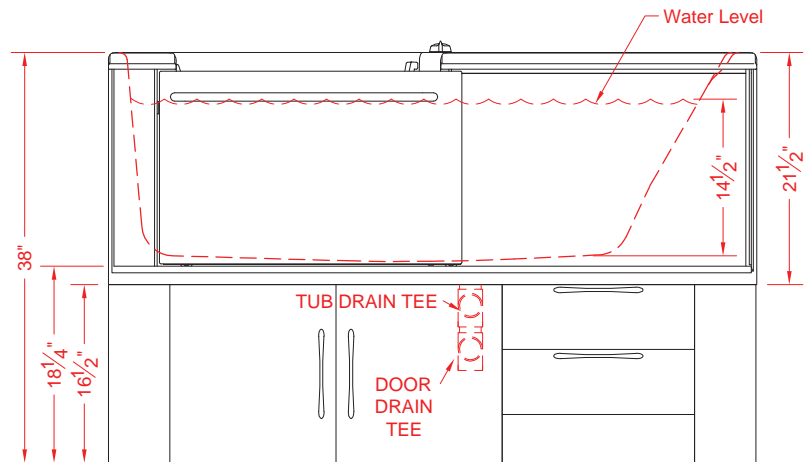
TOP VIEW - SCALE: 3/8" = 1'-0"

Features:

All ADL Spa packages include a 5-foot soaker tub with patented sliding door (right or left opening), ergonomic drain system, cabinet base with white melamine cabinet fronts and cabinet hardware, four integrated grab bars and a pillow.

The ADL Spa Economy System includes standard features. This package does not include plumbing fixtures, but does include the drain.

- Slide-in bathtub with door
- Cabinet Base (white)
- Extra deep for a full body soak
- Unique sliding door and automatic safety latch
- Right or left door opening
- Ergonomic deck-mounted chrome drain control lever
- Limited lifetime warranty



FRONT VIEW - SCALE: 3/8" = 1'-0"

RECOMMENDED ACCESSORIES

PART NUMBER	DESCRIPTION
KWJ7CHADL	Hydrotherapy System
KAJCHADL	Air Massage System
KWAJCHADL	Air & Water Jet System
ACXCGA1001	Ozone Automatic Disinfection System
ACXADL1104	Door Extension Handle
ACXADL1152	Harness System
ACXADLXXXX	Upgrade Cabinet Fronts (Contact Customer Service for details)

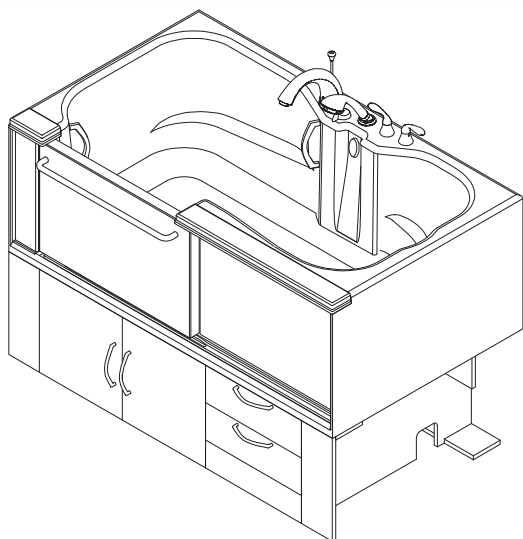
(ACCESSORIES NOT NECESSARILY REPRESENTED IN DRAWING)

CODES

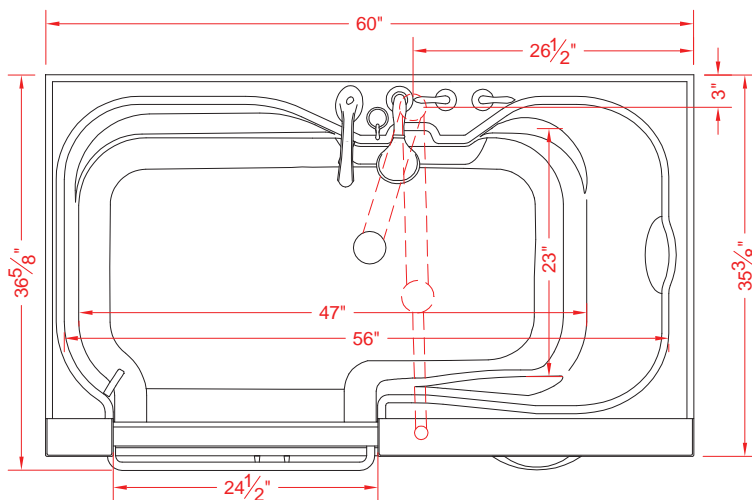
Designed and manufactured in compliance with the following standards and codes:
-I.A.P.M.O. / A.N.S.I. Z124.1.2-2005 Plastic Bathtubs and Showers
-A.S.M.E. A112.19.15-2001 Bathtubs/Whirlpool Bathtubs with pressure sealed doors

ADL Spa Basic System - Slide-in Tub

MODEL: ADLB6035



PERSPECTIVE VIEW - N.T.S.
MODEL SHOWN HERE AS:
RIGHT HAND PLUMBING
LEFT DOOR OPENING



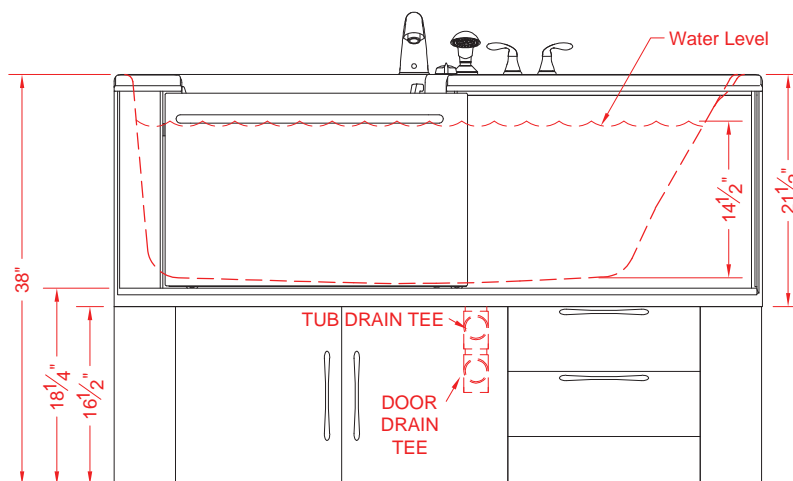
TOP VIEW - SCALE: 3/8" = 1'-0"

Features:

All ADL Spa packages include a 5-foot soaker tub with patented sliding door (right or left opening), ergonomic drain system, cabinet base with white melamine cabinet fronts and cabinet hardware, four integrated grab bars and a pillow.

The ADL Spa Basic System includes standard features plus 1/2-inch chrome plumbing system with 'Roman' spout and handshower.

- Slide-in bathtub with door
- Cabinet Base (white)
- Hand held shower and filler package
- Extra deep for a full body soak
- Unique sliding door and automatic safety latch
- Right or left door opening
- Ergonomic deck-mounted chrome drain control lever
- Limited lifetime warranty



FRONT VIEW - SCALE: 3/8" = 1'-0"

RECOMMENDED ACCESSORIES

PART NUMBER	DESCRIPTION
KWJ7CHADL	Hydrotherapy System
KAJCHADL	Air Massage System
KWAJCHADL	Air & Water Jet System
ACXCGA1001	Ozone Automatic Disinfection System
ACXADL1104	Door Extension Handle
ACXADL1152	Harness System
ACXADLXXXX	Upgrade Cabinet Fronts (Contact Customer Service for details)

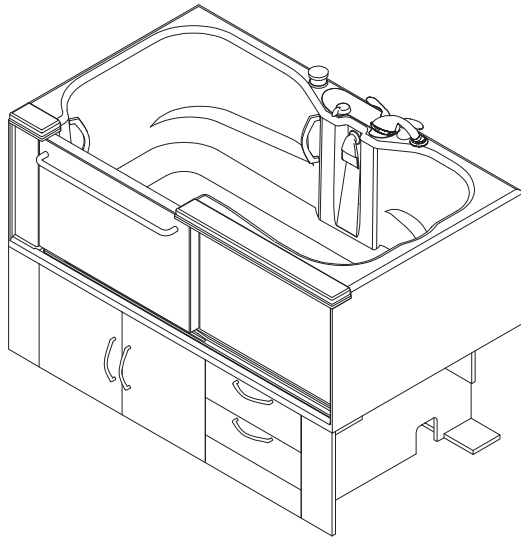
(ACCESSORIES NOT NECESSARILY REPRESENTED IN DRAWING)

CODES

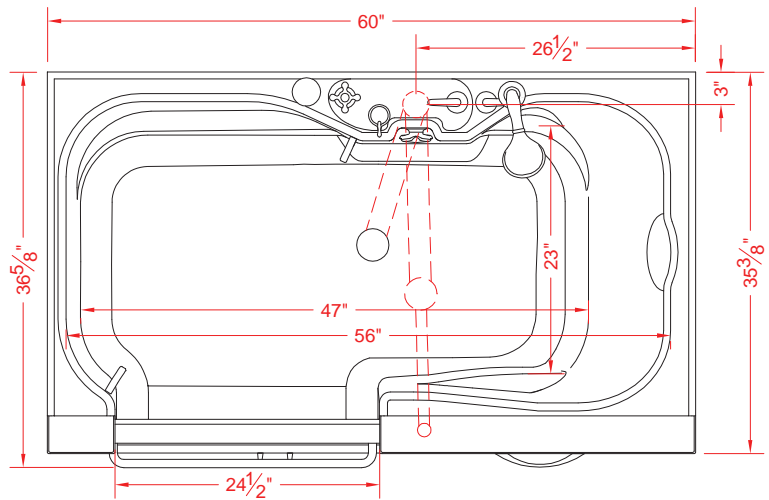
Designed and manufactured in compliance with the following standards and codes:
 -I.A.P.M.O. / A.N.S.I. Z124.1.2-2005 Plastic Bathtubs and Showers
 -A.S.M.E. A112.19.15-2001 Bathtubs/Whirlpool Bathtubs with pressure sealed doors

ADL Spa Safety Plus - Slide-in Tub

MODEL: ADLS6035



PERSPECTIVE VIEW - N.T.S.
MODEL SHOWN HERE AS:
RIGHT HAND PLUMBING
LEFT DOOR OPENING



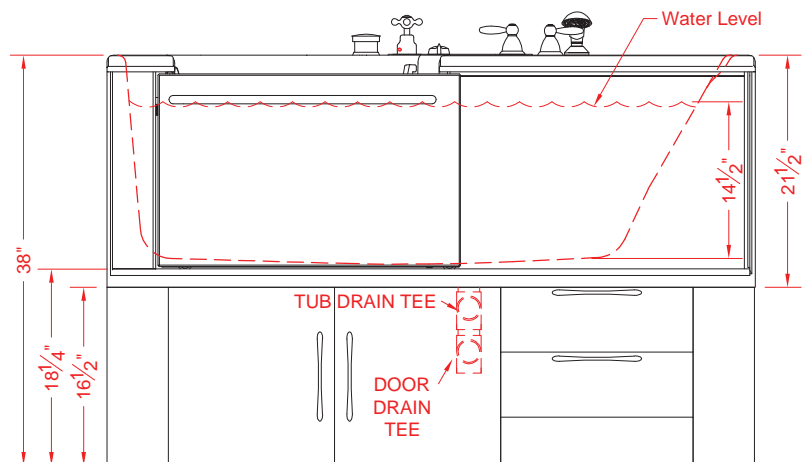
TOP VIEW - SCALE: 3/8" = 1'-0"

Features:

All ADL Spa packages include a 5-foot soaker tub with patented sliding door (right or left opening), ergonomic drain system, cabinet base with white melamine cabinet fronts and cabinet hardware, four integrated grab bars and a pillow.

The ADL Spa Safety Plus System includes standard features plus 3/4-inch, hi-flow thermostatic, anti-scald temperature-control valves, factory-installed chrome, ADA-compliant lever-handled fixtures and adjustable handshower with 5-foot flex hoses to hook up valves.

- Slide-in bathtub with door
- Extra deep for a full body soak
- Unique sliding door and automatic safety latch
- Right or left door opening
- Ergonomic deck-mounted chrome drain control lever
- Limited lifetime warranty



FRONT VIEW - SCALE: 3/8" = 1'-0"

RECOMMENDED ACCESSORIES

PART NUMBER

DESCRIPTION

KWJ7CHADL	Hydrotherapy System
KAJCHADL	Air Massage System
KWAJCHADL	Air & Water Jet System
ACXCGA1001	Ozone Automatic Disinfection System
ACXADL1104	Door Extension Handle
ACXADL1152	Harness System
ACXADLXXXX	Upgrade Cabinet Fronts (Contact Customer Service for details)

(ACCESSORIES NOT NECESSARILY REPRESENTED IN DRAWING)

CODES

Designed and manufactured in compliance with the following standards and codes:
-I.A.P.M.O. / A.N.S.I. Z124.1.2-2005 Plastic Bathtubs and Showers
-A.S.M.E. A112.19.15-2001 Bathtubs/Whirlpool Bathtubs with pressure sealed doors

Slide-in Tubs



ADL Spa Electronic Touch Control
Model: ADLT6035
Shown here with Custom Cabinet

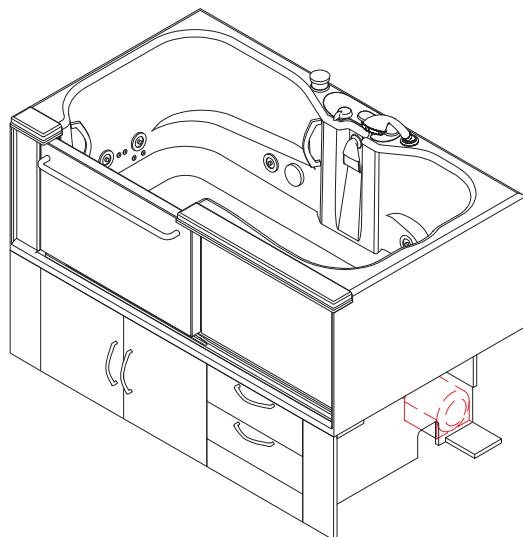
Luxurious Bathing Anyone Can Enjoy

The Activities of Daily Living (ADL) Spa provides a safe, luxurious bathing experience.

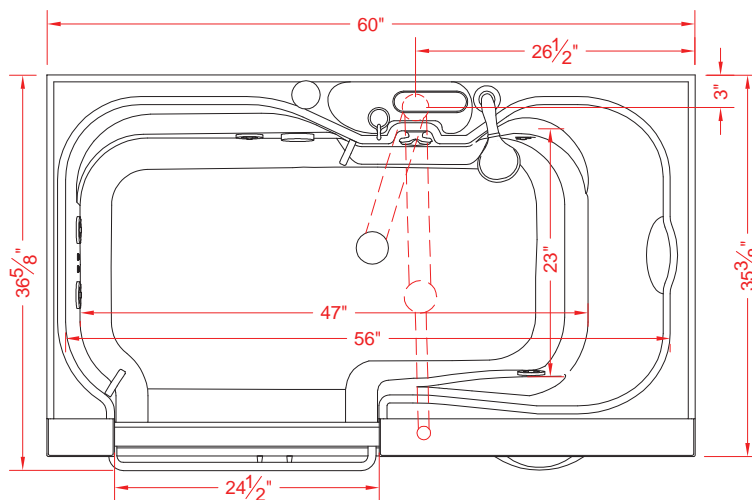
Unique design features make it especially well-suited to seniors and people with impaired mobility who live independently or in a care facility.

ADL Spa Electronic Touch - Slide-In Tub

MODEL: ADLT6035



PERSPECTIVE VIEW - N.T.S.
MODEL SHOWN HERE AS:
RIGHT HAND PLUMBING
LEFT DOOR OPENING



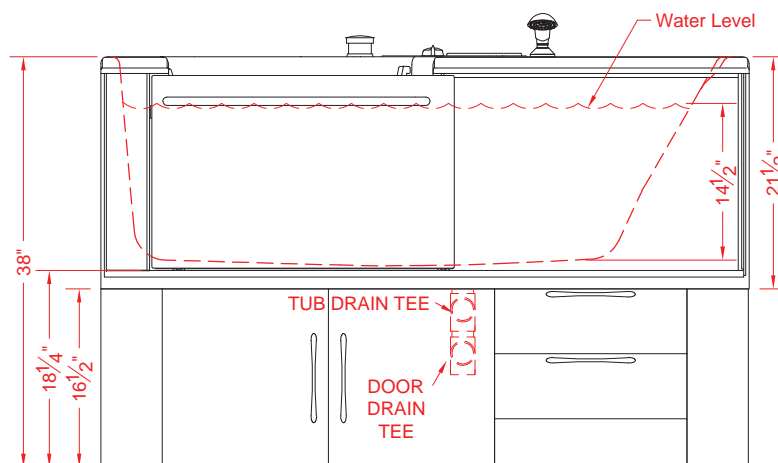
TOP VIEW - SCALE: 3/8" = 1'-0"

Features:

All ADL Spa packages include a 5-foot soaker tub with patented sliding door (right or left opening), ergonomic drain system, cabinet base with white melamine cabinet fronts and cabinet hardware, four integrated grab bars and a pillow.

The ADL Spa Safety Plus System includes standard features plus 3/4-inch, hi-flow thermostatic, anti-scald temperature control valves, factory installed chrome, ADA compliant lever-handled fixtures and adjustable handshower with 5-foot flex hoses to hook up valves. Also includes a 7-jet hydrotherapy water system and 15-jet air massage system, along with Ozone automatic disinfection system. Chrome finish.

- Slide-in bathtub with door
- Extra deep for a full body soak
- Unique sliding door and automatic safety latch
- Right or left door opening
- Ergonomic deck-mounted chrome drain control lever
- Limited lifetime warranty



FRONT VIEW - SCALE: 3/8" = 1'-0"

RECOMMENDED ACCESSORIES

PART NUMBER

DESCRIPTION

ACXADL1104	Door Extension Handle
ACXADL1152	Harness System
ACXADLXXXX	Upgrade Cabinet Fronts (Contact Customer Service for details)

(ACCESSORIES NOT NECESSARILY REPRESENTED IN DRAWING)

CODES

Designed and manufactured in compliance with the following standards and codes:


- I.A.P.M.O. / A.N.S.I. Z124.1.2-2005 Plastic Bathtubs and Showers
- A.S.M.E. A112.19.7M-1995 Whirlpool Bathtub Appliances
- A.S.M.E. A112.19.8M-1987 Suction Fittings for use in Whirlpool Bathtubs
- A.S.M.E. A112.19.15-2001 Bathtubs/Whirlpool Bathtubs with pressure sealed doors
- Underwriters Laboratories 1795 Hydro Massage Bathtubs

Distributed in SE Wisconsin through:



877-917-2273



 All Best Bath products are proudly manufactured in the USA and are backed by the best warranty in the industry. Product information is subject to change.